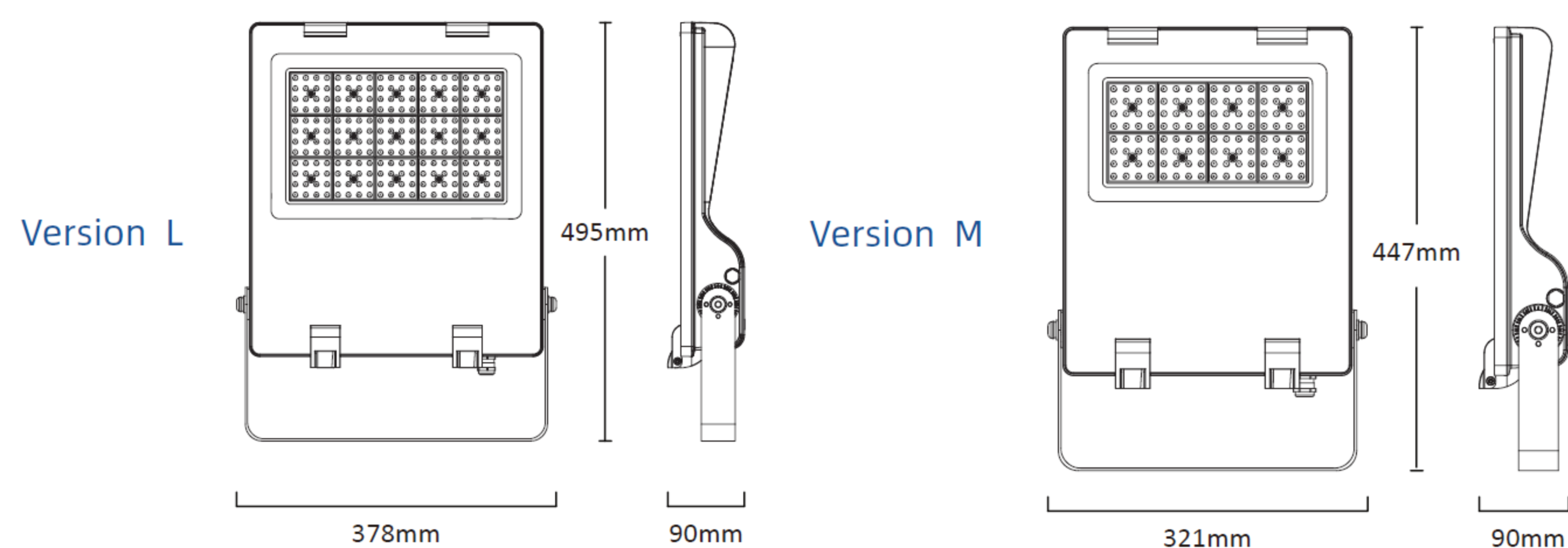


**5 YEAR WARRANTY**

## AG-FL Series



Structure Drawing:



M	447 x 321 x 90mm	4.4kg
L	495 x 378 x 90mm	6.0kg

### General Data

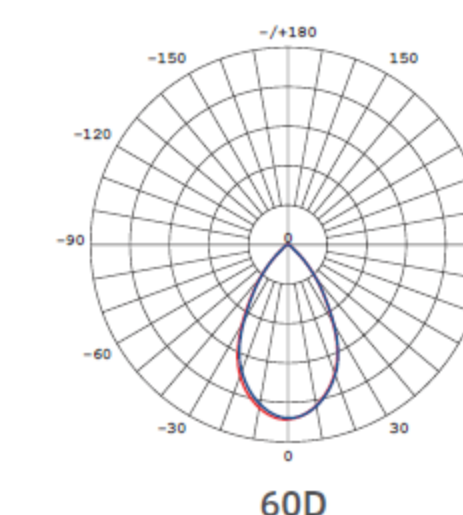
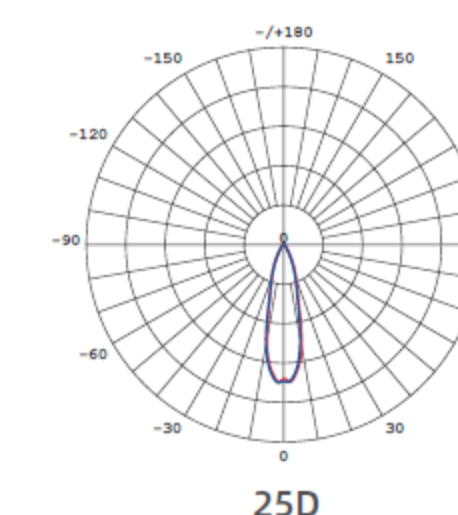
Body Material	High pressure die-cast aluminum
Housing Color	Gray RAL 9023(Default) /Black (available on request)
Cover Material	Tempered glass
Lens Material	UV-resistant Polycarbonate
Working Environment	-40°C ~ +50°C, 10%~90%RH
Lifespan L70 at 25 °C	>100,000 h
Mounting Type	Bracket mounted
Mounting Location	Wall /Pole /Floor /Ceiling
Dimmable	1-10V Dimming (Default) /Timer Dimming
Protection Class	Class I (Default) /Class II (30W-240W)
Standards	CE, RoHS, ENEC, CB, LM79, LM80, TM-21, IP66, IK10
Available on request	Photocell, Motion sensor, NTC, OLC, Solar Compatible, DALI Dimming

### Electrical Data

Nominal Voltage	AC 100-240V /277V   50 /60Hz
LED	Philips Lumileds
Driver	Default: Inventronics for 30-320W, SOSEN for 400W /Other brands on request
Power Factor (PF)	>0.95
THD	<15
SPD	10KV (Build-in Driver) /Extra 10KV SPD (Order on request except version XL)
Optics	25°, 60°, 90°, 120° or Asymmetrical
Standard Deviation of Color Matching	<5 SDCM
CRI	Ra>70 (Default) /Ra>80
CCT	3000K, 4000K, 5000K, 5700K

### Version M

Model No	AG-FL07-60M	AG-FL07-60M+	AG-FL07-80M	AG-FL07-80M+	AG-FL07-100M	AG-FL07-120M
Nominal Wattage	60W	60W	80W	80W	100W	120W
3030 Version	Efficiency 150 lm /w 9000 lm	165 lm /w 9900 lm	145 lm /w 11600 lm	160 lm /w 12800 lm	145 lm /w 14500 lm	145 lm /w 17400 lm
5050 Version	Efficiency 160 lm /w 9600 lm	170 lm /w 10200 lm	155 lm /w 12400 lm	165 lm /w 13200 lm	155 lm /w 15500 lm	155 lm /w 18600 lm



### Version L

Model No	AG-FL07-150L	AG-FL07-150L+	AG-FL07-180L	AG-FL07-180L+	AG-FL07-200L	AG-FL07-240L
Nominal Wattage	150W	150W	180W	180W	200W	240W
3030 Version	Efficiency 145 lm /w 21750 lm	160 lm /w 24000 lm	150 lm /w 27000 lm	155 lm /w 27900 lm	145lm /w 29000 lm	140 lm /w 33600 lm
5050 Version	Efficiency 155 lm /w 23250 lm	165 lm /w 24750 lm	160 lm /w 28800 lm	165 lm /w 29700 lm	155 lm /w 31000 lm	150 lm /w 36000 lm

